

PURCHASER: PROF-MET-KOL SP. Z O.O. ODDZIAŁ W SŁUPNIE

NAME OF PRODUCT: L-SHARPED HOOK

INVOICE NO: HN211209CI-2

MANUFACTURING DATE: 2022.3

MANUFACTURER STANDARD AS PER DRAWING

SIZE: AS PER DRAWING

QUANTITIES: 10PCS

FINISH: PLAIN

MATERIAL: SS201

HAK NA RĄBEK STOJĄCY

DIMENSIONAL INSPECTION:

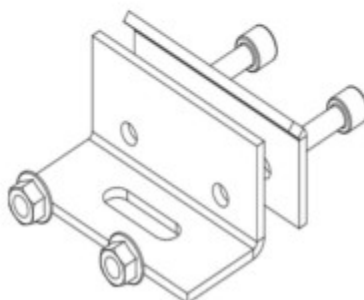
SAMPLING DATE: MAR, 2022 SAMPLES: 10PCS

INSPECTION ITEM	STANDARD	ACTUAL RESULT	RESULT
APPEARANCE	OK	OK	OK
HEIGHT	4	4.13	OK
LENGTH	90	90.12	OK
HEIGHT	45	45.16	OK
APERTURE	M8	OK	OK

CHEMICAL COMPOSITION:

SAMPLING DATE: MAR, 2022 SAMPLES: 10PCS

CHEMICAL ELEMENT (%)	C	Si	Mn	P	S	Cr	Ni				
TEST RESULT	0.14	0.99	5.85	0.048	0.027	16.21	0.23				



PROF - MET - KOL sp. z o.o.
Oddział w Łodzi
 91-204 Łódź, ul. Duńska 17
 tel. 42 674-35-11, fax 42 290-91-20
 NIP 524-10-03-735. REGON 010554185

®

PROF - MET - KOL sp. z o.o.
z up. Marcin Senczak